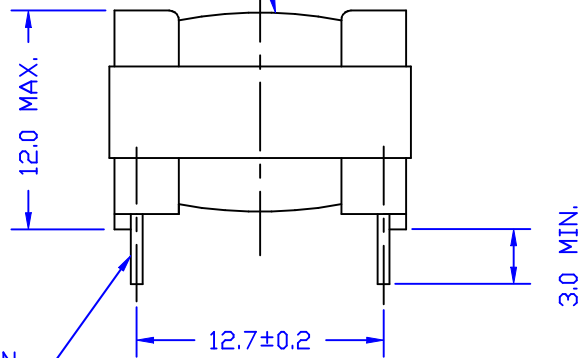


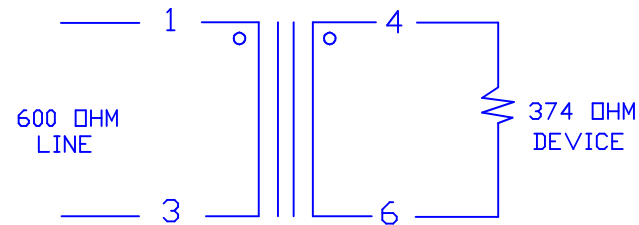
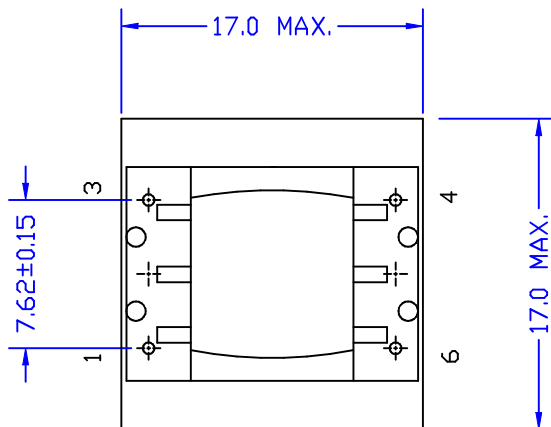
BLACK DOT PIN#1

MFG

ATS-270C
Atech X



0.5 SQ. PIN
OR Ø0.6 PIN (TYP.)



ELECTRICAL CHARACTERISTICS :

1. DCR : PIN 1-3 = 108 OHM ±10%.
PIN 4-6 = 120 OHM ±10%.
2. INDUCTANCE (@200Hz, 1Vrms, PARALLEL) :
PIN 1-3 = 2.83 H MIN.
3. RETURN LOSS (@REF. 600 OHM) :
300Hz = 12 dB MIN.
3.5KHz = 12 dB MIN.
4. INSERTION LOSS (@0 dBm, PIN 4-6 W/H 374 OHM) :
1KHz = 2.5 dB MAX.
5. FREQ. RESPONSE (REF. 1KHz) :
200Hz = ±0.2 dB.
4KHz = ±0.2 dB.
6. TURN RATIO (@1KHz, 1Vrms) :
PIN 1-3:4-6 = 1 ±1%.
7. HI-POT (@3750 VAC, 1mA, 2SEC) :
PIN 1-6
8. RoHS COMPLINACE

						Atech [®]		TITLE TRANSFORMER	
						Atech Technology Co., Ltd.		DWG. NO. ATS-270CR	
						TEL:(02)2794-8867 FAX:(02)2794-8004			
RELEASE						UNITS:		SAFETY	
NO.	DESCRIPTION	DATE	BY	CHK	APPD	DATE		P/N:	
REVISIONS								SHEET 1 OF 1	
								DRAW	